



VASI supplies this cost-effective torque wrench checker has been redesigned to incorporate improved features whilst maintaining ease of use. The TruCheck™ 2 aims to cut the cost of purchasing a torque wrench checking system and remove the fears over the complexity of using such equipment.

- Enables torque wrench performance to be monitored as part of your strategy to keep wrenches in peak condition.
- LCD display with clear target indication from colour changing display. Visible in poorly lit work areas.
- TruCheck 2 Plus allows a selection of torque units, three modes of operation (Click, Dial and Track), the ability to store up to 15 targets and select from 12 languages
- Allows operator to set a target value and tolerance
- $\pm 1\%$  of reading accuracy ( $\pm 2\%$  when below 10% of range for the 10 Nm and 1,100 Nm TruCheck 2 Plus model)
- Inbuilt Micro USB 2.0 port enables power from any USB power source. It also allows for both power and data transfer simultaneously
- Supplied with traceable calibration certificate
- Can be used to create Declaration of Conformance according to ISO 6789-1:2017 with the use of free downloadable software. (Called "Calibration Certificate" prior to 2017)



TruCheck 2 Plus display showing above target tolerance



TruCheck 2 Plus display showing within target tolerance



TruCheck 2 Plus display showing below target tolerance



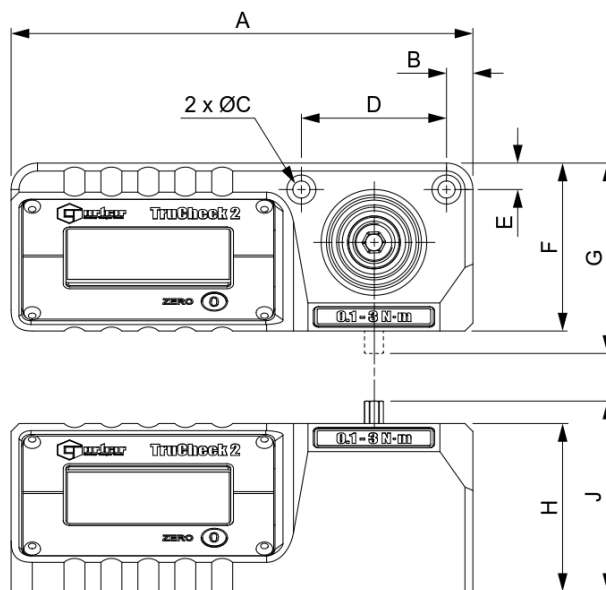
Rundown bolt simulator for TruCheck 2 Plus





P/N	Description	Notes
43515	TruCheck 2 Plus - 0,1 - 3 Nm	Supplied with ¼" male hexagon and ¼" female square drive adapter.
43517	TruCheck 2 Plus - 0,5 - 10 Nm	
43563	TruCheck 2 Plus - 1,5 - 30Nm	Supplied with 10 mm male hexagon, ¼" and ⅜" female square drive adapter.
<b>KALIB.TRUCHECK</b>	UKAS accredited Calibration (CW only) If you order a UKAS accredited calibration, this certificate will be provided in place of the traceable calibration certificate and over the operating range as indicated on the device.	

Model	TruCheck 2 Plus 0,1-3.0Nm 0,5-10Nm	TruCheck 2 Plus 1,5-30Nm
Part Number	43515 & 43517	43563
Range	0.1 - 3.0 N-m 0.5 - 10 N-m	1.5 - 30 N-m
In-Built Transducer Male Hex Drive Size	1/4"	10 mm
Dimensions (mm)	A	175
	B	10
	∅C	6.5
	D	55
	E	10
	F	64
	G	N/A
	H	64
J	72	N/A
Weight (kg)	1.4	1.4



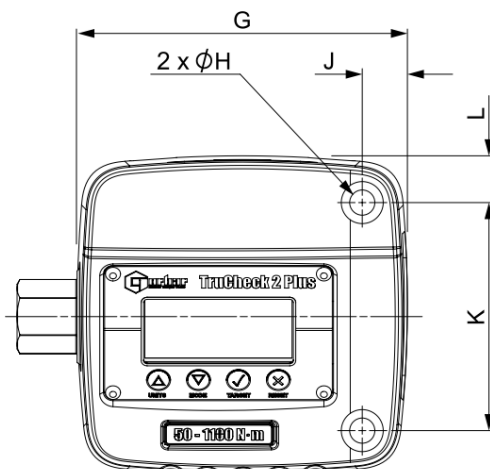
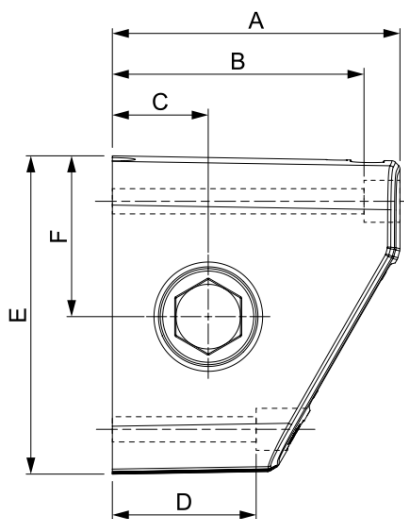
NOTE: The male hexagon on the 3 N-m and 10 N-m models is vertically aligned.  
The 30 N-m model male hexagon is horizontally aligned.



P/N	Description	Notes
<b>43521</b>	TruCheck 2 Plus 3-65Nm	Supplied with 3/8" female square drive.
<b>43525</b>	TruCheck 2 Plus 10-350 Nm	Supplied with 1/2" female square drive.
<b>43531</b>	TruCheck 2 Plus 50-1100 Nm	Supplied with 27mm male hexagon plus 3/4" female square drive adapter.
<b>43533</b>	TruCheck 2 Plus 200 -2100Nm	Supplied with 27mm male hexagon plus 1" female square drive adapter.
<b>KALIB.TRUCHECK</b>	UKAS accredited Calibration (CW only) If you order a UKAS accredited calibration, this certificate will be provided in place of the traceable calibration certificate and over the operating range as indicated on the device.	



TruCheck 2 Plus 1100 shown with a Power Tool Test Fixture



Model	TruCheck 2 Plus 3-65Nm 10-350Nm	TruCheck 2 Plus 50-1100Nm 200-2100Nm
Part Number	43521 43525	43531 43533
Dimensions (mm)	A	110
	B	95
	C	40
	D	50
	E	117
	F	59
	G	138
	ØH	10.5
	J	19
	K	80
L	19	
Weight (kg)	2.6	3.5